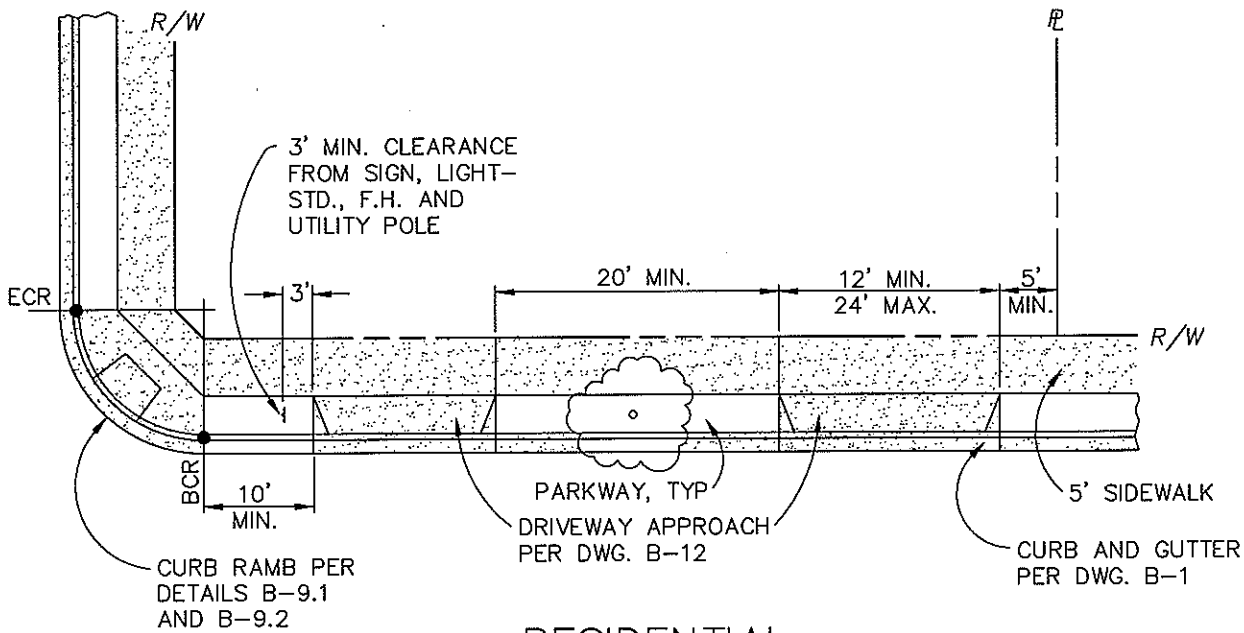


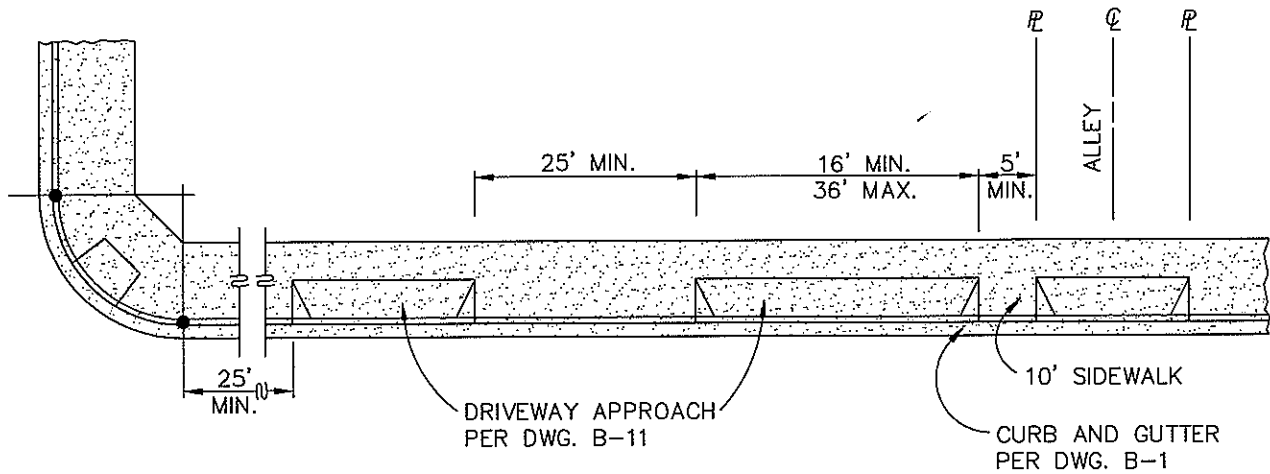
REVISIONS			
DESCRIPTIONS	BY	DATE	APPROVED



RESIDENTIAL

NOTE:

1. NOT MORE THAN TWO DRIVEWAYS PER FRONTAGE.
2. 12' MIN. WIDTH FOR RESIDENTIAL DRIVEWAYS OVER 50' LONG.



COMMERCIAL/INDUSTRIAL

NOTE:

1. TWO-WAY DRIVES SHALL BE A MINIMUM OF 24 FEET IN WIDTH, ONE-WAY DRIVES A MINIMUM OF 16 FEET.

DRAWN BY:
K.S.B.
DESIGNED BY:
DATE:
01/31/07
FILE NAME:
PR-B-10.DWG

CITY OF PASO ROBLES
ENGINEERING DIVISION

DRIVEWAY LOCATIONS

DRAWING NO.

B-10