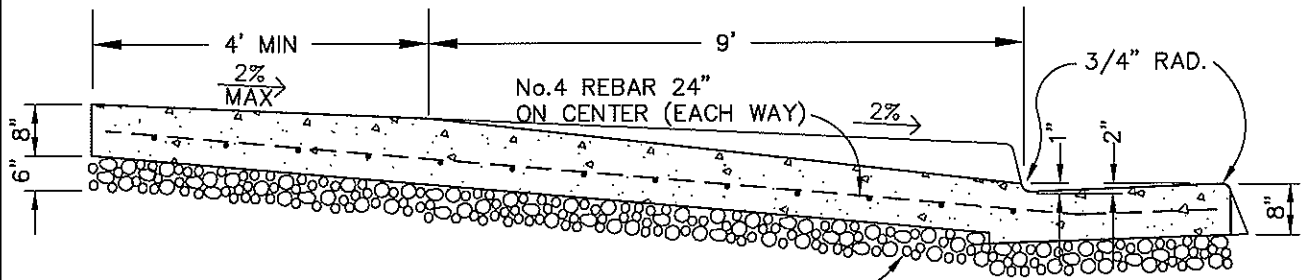
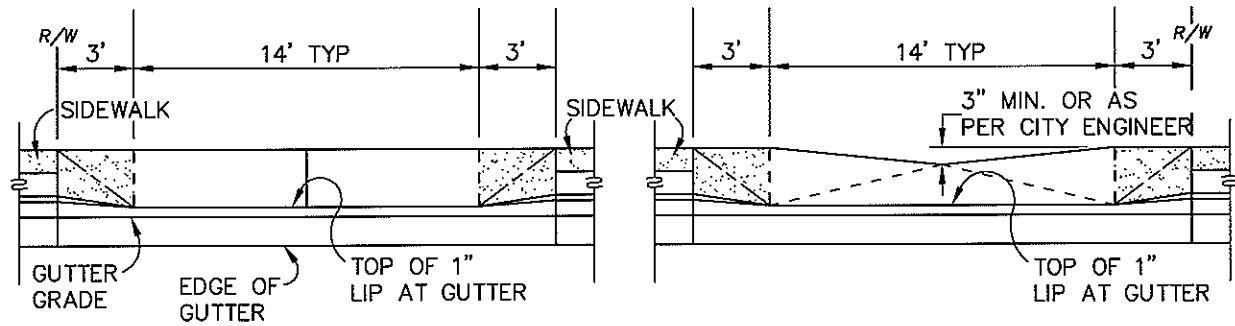
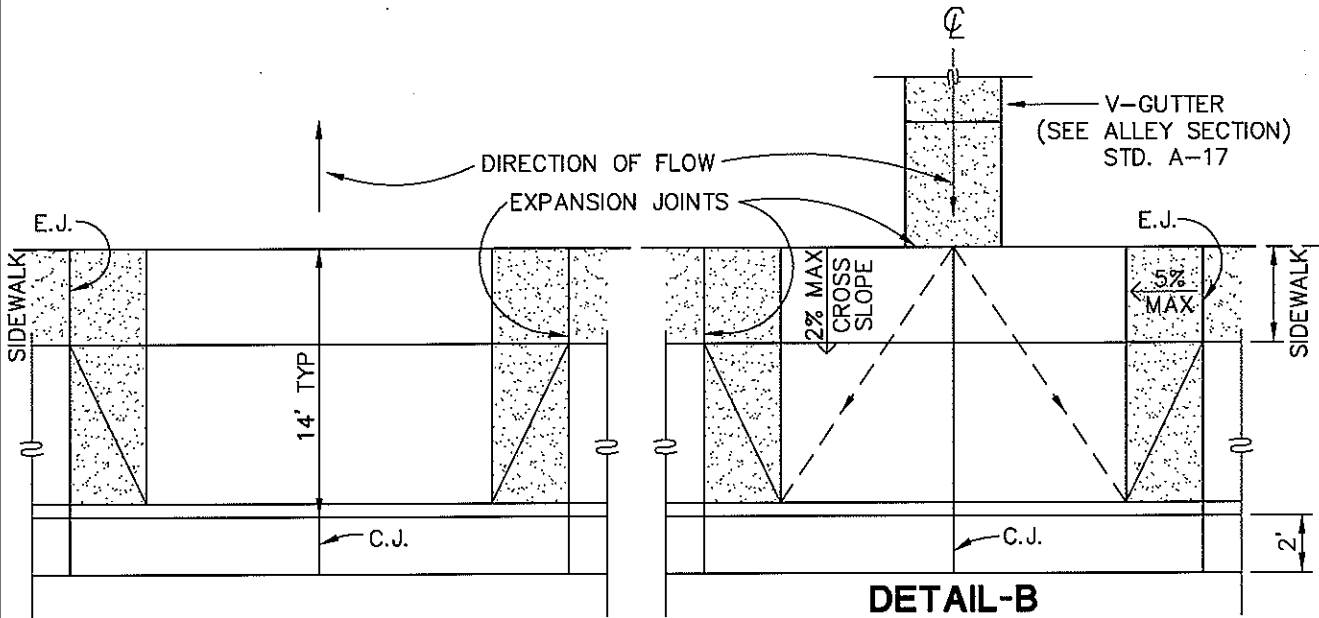


REVISIONS

DESCRIPTIONS	BY	DATE	APPROVED



6" MIN. DEPTH, 95% COMPACTION,
CLASS II AGG. BASE

TYPICAL SECTION

NOTE: CONCRETE SHALL BE 6 SACK CRUSHED AGGREGATE 3/4" AT 3000 PSI

DRAWN BY:
K.S.B.
DESIGNED BY:
DATE:
01/31/07
FILE NAME:
PR-B-6.DWG

CITY OF PASO ROBLES
ENGINEERING DIVISION
ALLEY APPROACH DETAIL

DRAWING NO.
B-6