

TO: James L. App, City Manager
FROM: Meg Williamson, Interim Director of Public Works
SUBJECT: Request to Install Pedestrian Walkway - Bridges Sportsmens Building
DATE: May 18, 2004

NEEDS: For the City Council to consider approving the installation of a pedestrian walkway at Bridges Sportsmens Building.

FACTS:

1. City has received a request to install a pedestrian walkway in front of the Bridges Sportsmens Building.
2. The walkway would eliminate four parallel parking spaces.

**ANALYSIS
AND**

CONCLUSION: The applicant has indicated that they will be reconstructing the front wall that was damaged by the San Simeon earthquake. They need to use the sidewalk area to perform the work. In order to provide safe pedestrian access, they will need to install a walkway in the parking area and thus eliminate four parallel spaces. They anticipate leaving the walkway for a period of 6-9 months.

POLICY

REFERENCE: Downtown Parking Plan

FISCAL

IMPACT: None.

OPTIONS:

- a. Approve issuing an encroachment permit to install a pedestrian walkway at Bridges Sportsmens Building and the temporary elimination of four parking spaces at this location.
- b. Amend, modify, or reject the above option.

Attachments

- 1) Applicant Request

Report prepared by:
Ditas Esperanza, P.E.
Capital Projects Engineer

THIESSEN

CONSTRUCTION

THIESSEN VENTURES INC. D.B.A.

City of Paso Robles
1000 Spring Street
Paso Robles, CA 93446

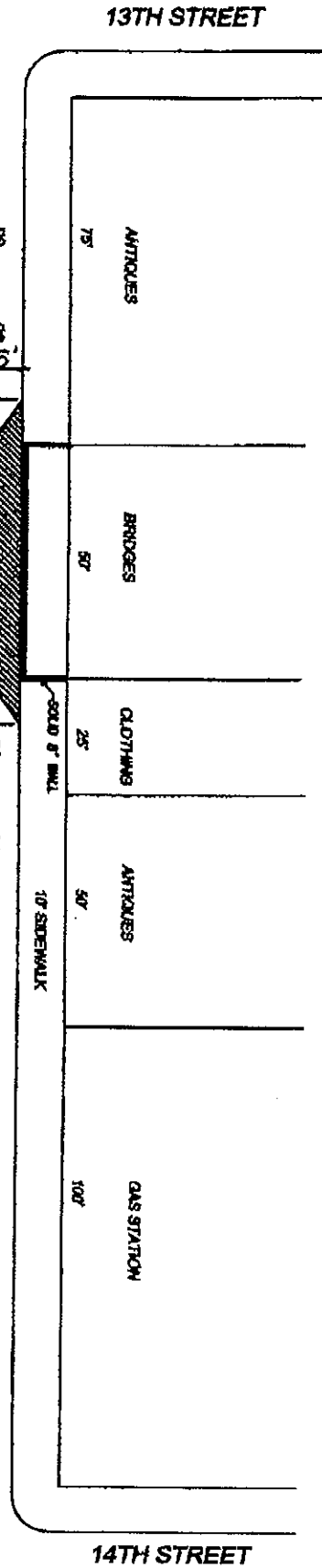
RE: Pedestrian walkway in front of 1319 Spring Street

To Whom It May Concern:

It is imperative that we use the sidewalk area for work to the building at 1319 Spring Street in able to retrofit the building due to the San Simeon Earthquake. We have removed the front wall and we will be replacing it with a steel frame that will require excavation and workspace on sidewalk area. Therefore it is necessary for us to utilize the parking spaces in front of the building for the pedestrian walkway.

Regards,

Garrett Thiessen
Thiessen Construction



NEW COVERED CONSTRUCTION PEDESTRIAN WALKWAY

SPRING STREET

TEMPORARY CONSTRUCTION - COVERED PEDESTRIAN WALKWAY
 TO REPLACE THE 6 WALKWAYS
 BRIDGE'S SPORTSMENS CENTER BUILDING
 1315, 1317, & 1319 SPRING STREET
 PASO ROBLES, CA

54-04

NORTH NOT TO SCALE



CONSTRUCTION

THIESSEN VENTURES INC. D.B.A.

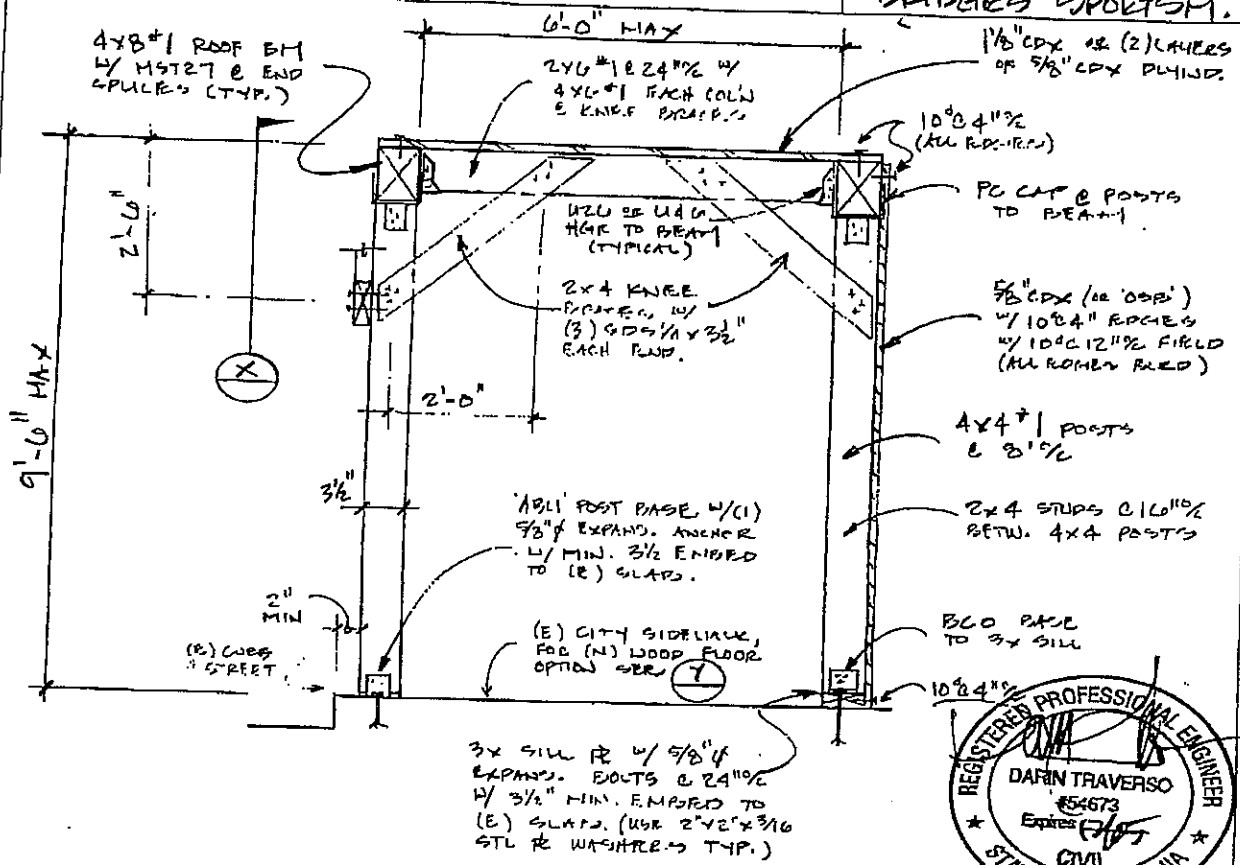
Garrett Thiessen
(805) 440-7305

1525 Peachy Canyon Paso Robles, CA 93446
Tel: (805) 238-4404 Fax: (805) 238-7495
State Lic# 429381

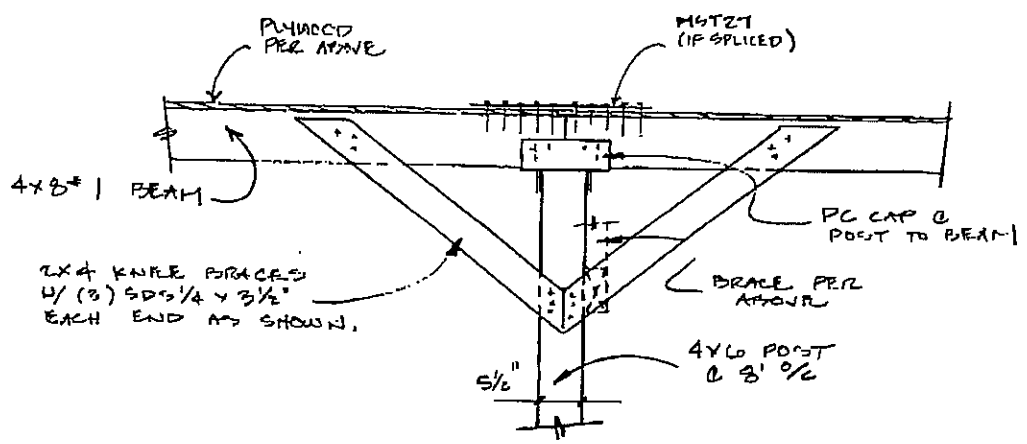
BRIDGES SPORTSM.

1/2

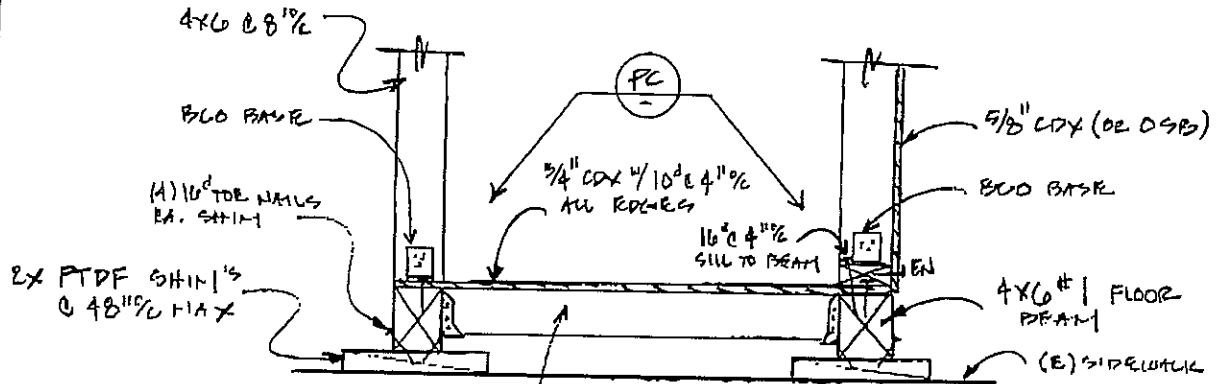
4-15-D



PC SIDEWALK PEDESTRIAN COVER



X COLUMN BRACING



2x4 #1 @ 16\"/>

***NOTE:**

PROVIDE WHEELCHAIR ACCESS RAMP AT EACH END WITH SLOPE NOT TO EXCEED 1:5.

(Y) WOOD FLOOR